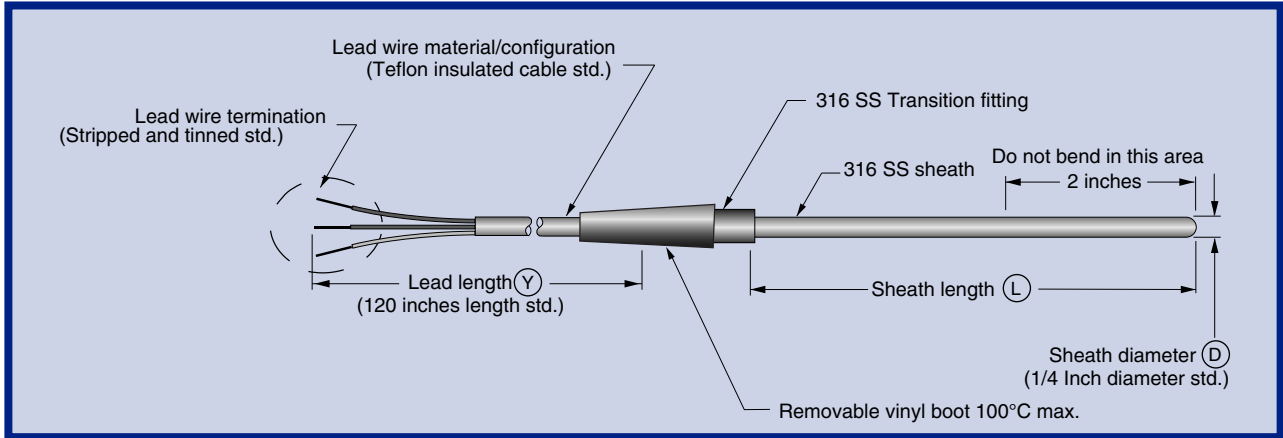


SERIES 200: TYPE 'G' CAPSULE STYLE PLATINUM RTD



TYPE 'G' ORDERING INFORMATION

200G	Code	Accuracy options
	10	± .10% at 0°C
	05	± .05% at 0°C
	Code	Element configuration
	A	Three wire single element
	B	True four wire single element
	C	Three wire dual element
	Code	Sheath length (L)
	035	3.5 Inch
	055	5.5 Inch
	085	8.5 Inch
	115	11.5 Inch
	175	17.5 Inch
	235	23.5 Inch
	L	Specify sheath length in inches Example: For a 6.0 inch (L) length specify 060 For a 13.5 inch (L) length specify 135

/
 /

Basic order code Options Transmitter
 see page 13
 Leave blank if none required