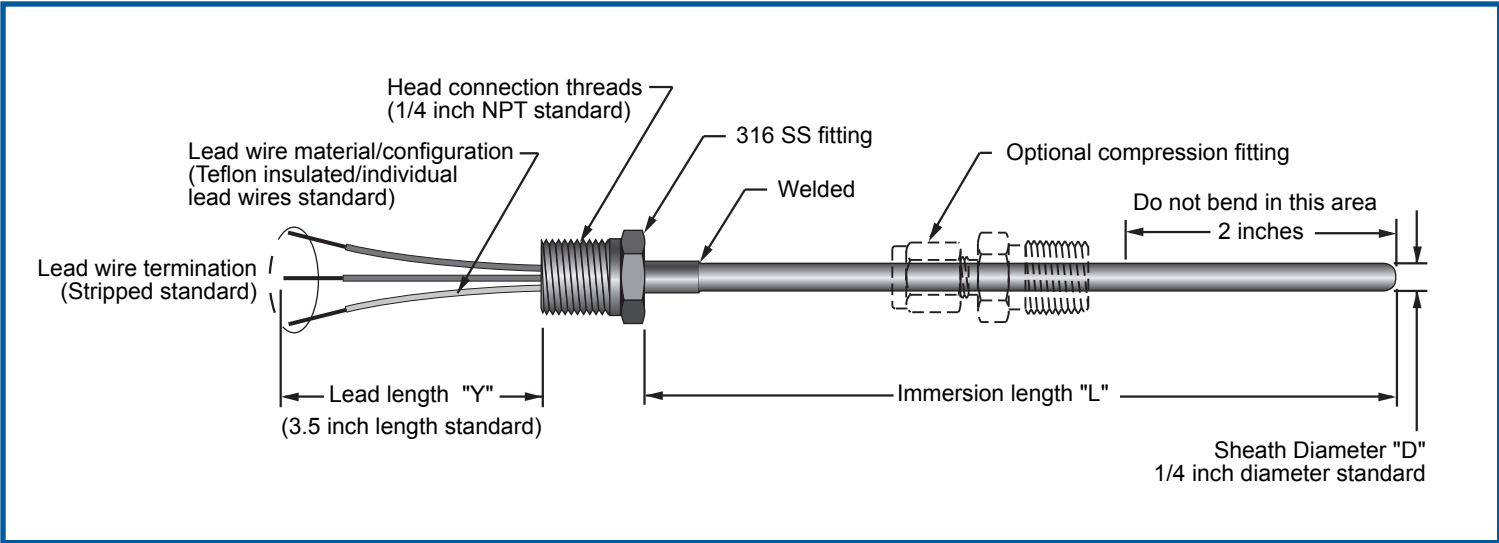


SERIES 200: STYLE 'B' GENERAL PURPOSE VARIABLE IMMERSION PLATINUM RTD ORDERING INFORMATION



200B General Purpose Variable Immersion	
Accuracy Options	
10	+/- 0.10% at 0 deg C
05	+/- 0.05% at 0 deg C
Element/Leadwire configuration	
A	Three wire single element
B	True four wire single element
C	Three wire dual element
Connection Head	
1C	Cast iron weatherproof
1E	Epoxy coated cast iron weatherproof
2A	Aluminum weatherproof
2E	Epoxy coated aluminum weatherproof
5A	Explosion proof aluminum (mates with K style sensor) (use with TL transmitter)
5E	Epoxy coated explosion proof aluminum (mates with K style sensor) (use with TL transmitter)
9P	Polypropylene
10A	Explosion proof aluminum with window for TLI indicating transmitter
14S	Stainless Steel
N	No connection head
Sheath Length 'L'	
035	3.5 inch
055	5.5 inch
085	8.5 inch
115	11.5 inch
175	17.5 inch
235	23.5 inch
L	Specify sheath length in inches Example: For a 6.0 inch 'L' length specify 060 For a 13.5 inch 'L' length specify 135

200B					
------	--	--	--	--	--