

## RIBXRA

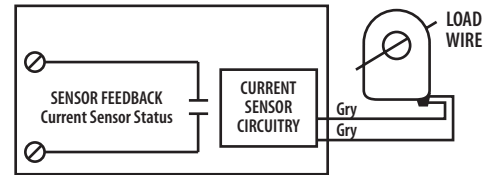
### Enclosed Solid Ring Remote Adjustable 1.25-150 Amp Current Sensor



Functional Devices, Inc. A600C 2005



**Operating Temperature:** -30 to 140° F  
**Dimensions:** 4.00" x 4.00" x 1.80" with .50" NPT Nipple  
**Remote Dimensions:** 1.863" x 1.460", .500" Inside Diameter  
**Wire Length:** 16", 600V Rated  
**Approvals:** UL Listed, UL916, UL864, C-UL Canada, California State Fire Marshal, CE Approved  
**Housing Rating:** Plenum, NEMA 1  
**Sensor Type:** External, with contact status  
**Sensor Threshold:** Adjustable, 1.25-150 Amps  
**Sensor Range:** 1.25-150 Amps  
**Sensor Output:** Solid State Contact 30 Vac/dc, 0.4 Amp  
**Max Sense Voltage:** 600 Vac



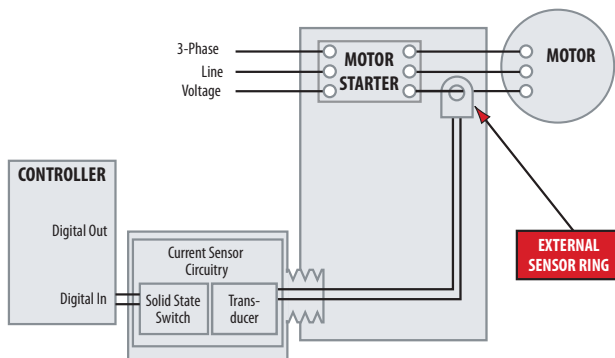
**Solid State Contact**  
30 Vac/dc  
.4 Amp Max.

When current sensor status is off (open), leakage <30 uA @ 30Vac/dc  
 When current sensor status is on (closed), voltage drop <.3 Vac/dc @ .1 Amp  
 <1.6 Vac/dc @ .4 Amp

## Notes:

### SENSOR ONLY FOR 1.25 AMP TO 150 AMP LOAD

Use sensor only devices without relay where start/stop is not required.

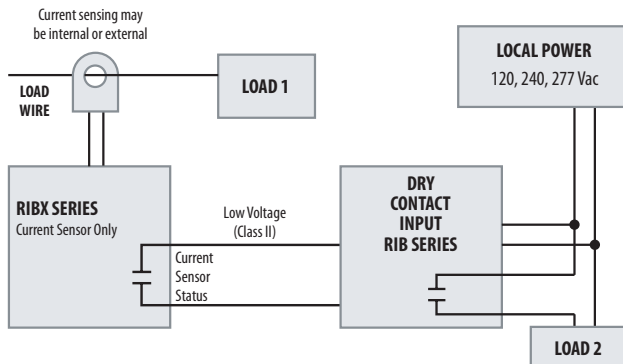


### EXTERNAL SENSOR RING

- RIBXRA
- RIBXRF
- RIBMXRA
- RIBMXRF

### INTERLOCKING LOADS (NO TRANSFORMER)

Self-powered Current Sensors of the RIBX Series and relays of the Dry Contact Input RIB Series may be applied to interlock Load 2 to Load 1.



### DRY CONTACT INPUT RELAYS

- RIB21CDC
- RIB01BDC
- RIB01SBDC
- RIB02BDC
- RIB02SBDC
- RIBM01ZNDC
- RIBM02ZNDC
- RIBM013PNDC

### CURRENT SENSORS

- RIBXKF
- RIBXKTF
- RIBXKA
- RIBXKTA
- RIBXGA
- RIBXGF
- RIBXGTA
- RIBXGTF
- RIBXGFL
- RIBXGTFL
- RIBXF
- RIBXA
- RIBXV
- RIBXRF
- RIBXRA
- RIBXJF
- RIBXJA
- RIBMXF
- RIBMXA
- RIBMXV
- RIBMXRF
- RIBMXRA
- RIBMXJF
- RIBMXJA