



by Industrial Controls

Model 79S Process Gauge

- High quality, liquid-fillable solid fiberglass reinforced thermoplastic front safety case with blow-out back and Stainless Steel internals
- Easily adjustable, self-locking micrometer pointer
- Stainless Steel Connection & Bourdon Tube
- This rugged gauge has been designed with heavy industrial applications in mind especially where high heat and extreme elements are a factor
- Glass lens standard, Acrylic used on filled gauges



General Specifications:

- ✓ Solid front safety case
- ✓ AISI 316 Stainless Steel Connection & Bourdon Tube
- ✓ Accuracy: Complies with ASME B 40.1 Grade 2A $\pm 0.5\%$ of Full Scale
- ✓ Ambient Temp: Filled: 30 to 160° F
Dry: -30 to 180° F

Available Dial Size:

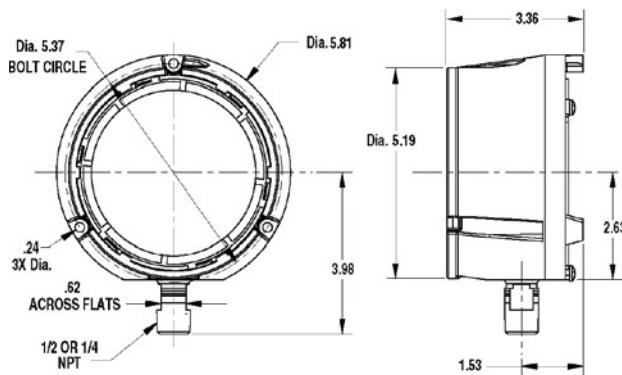
4 1/2"

Available Connection Sizes:

1/4" NPT or 1/2" NPT

Dial Scale:

Single Scale: PSI



Common Accessories

Item	Description	Connection
BV B 2F2F	FxF Ball Valve	1/4"
BV B 2F2M	FxM Ball Valve	1/4"
SYPHON B2	Brass Syphon	1/4"
SYPHON CS2	Carbon Steel Syphon	1/4"
SYPHON SS2	Stainless Steel Syphon	1/4"
SNUB M2F2	Snubber	1/4"

4 1/2" Lower Connection Dimensions

		A	B	C	D	E
4 1/2" Dial	In.	5.19	3.36	1.35	6.61	1/4" or 1/2" NPT
	MM	131.83	85.34	34.29	167.90	

Corporate Office
Wanamassa, NJ
732.918.9000

Philadelphia, PA
610.521.7400
New York, NY
212.947.3100

Augusta, ME
207.623.8101
Atlanta, GA
800.229.3960

Indianapolis, IN
317.815.1730
Pittsburgh, PA
412.220.2202

Cincinnati, OH
513.733.5200
Louisville, KY
502.491.0560

Knoxville, TN
865.588.3771
Charlotte, NC
704.845.9782



by Industrial Controls

Model 79S Part Numbering System

Example: 45 79S 2L 600

Dial	Model	Connection	Range
45	7 9 S	2L	600

Dial Size
45 = 4 1/2"

Gauge Type
7 = Process

Case Type
9 = Thermoplastic

Tube Material & Fill
S = Stainless Steel Dry
SL = Stainless Steel Filled

Connection
2L = 1/4" Lower
4L = 1/2" Lower

Range
VAC = 30-0" HG Vacuum
VAC/30 = 30" HG & 0-30 psi
VAC/60 = 30" HG & 0-60 psi
15 = 0-15 psi
30 = 0-30 psi
60 = 0-60 psi
100 = 0-100 psi
160 = 0-160 psi
200 = 0-200 psi
300 = 0-300 psi
400 = 0-400 psi
600 = 0-600 psi
1000 = 0-1,000 psi
1500 = 0-1,500 psi
2000 = 0-2,000 psi
3000 = 0-3,000 psi
5000 = 0-5,000 psi

The most common ranges are listed here. Call for availability of additional ranges.

Contact us for information on our complete gauge line Other ranges and styles are available
Stock gauges are available off the shelf Delivery on non-stock gauges is typically one week or less
Visit us on the web at: icon-control.com • Email: moreinfo@icon-control.com