



by Industrial Controls

# IP500 Industrial I/P Transducer

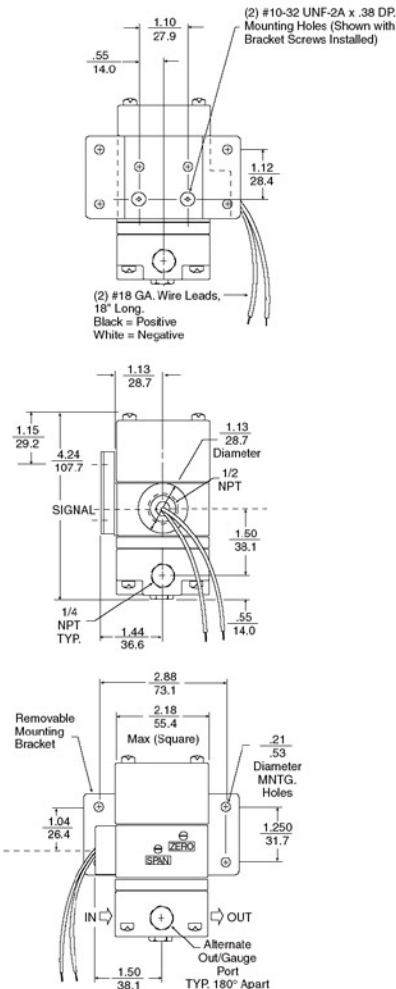
*Industrial interface between electronic systems and pneumatic devices*

The IP500 converts a 4-20mA current input signal to a linearly proportional pneumatic output pressure. This versatile instrument is designed for control applications that require a high degree of reliability and repeatability at an economical cost. Typically, they are used for applications that require the operation of valve actuators, pneumatic valve positioners, damper and louver actuators, final control elements, relays, air cylinders, web tensioners, clutches and brakes.

Industries that utilize IP500's include Petrochemical, HVAC, Energy Management, Textile, Paper, Paper Converting, and Food & Drug.



- Low cost
- Integral volume booster
- Compact size
- Low air consumption
- Field reversible
- Flexible zero & span adjustments
- Split Ranging
- Standard process input (4-20mA)



Specifications	
<b>Min/Max Supply Pressure</b>	Minimum - 3 psig (21kPa) Above maximum output Maximum - 100 psig (700 kPa)
<b>Impedance</b>	180 Ohms
<b>Supply Pressure Sensitivity</b>	<± 0.1% of span per psig (<± 0.15% of span per 10 kPa)
<b>Terminal Based Linearity</b>	<± 0.75% of span
<b>Repeatability</b>	< 0.5% of span
<b>Hysteresis</b>	< 1.0% of span
<b>Response Time</b>	Typically less than 0.25 sec for 3-15 psig units
<b>Flow Rate</b>	4.5 scfm (7.6 m3/hr ANR) at 25 psig (175 kPa) supply 12.0 scfm (20.0 m3/hr ANR) at 100 psig (700 kPa) supply
<b>Relief Capacity</b>	2 scfm (3.4 m3/hr) at 5 psig (35 kPa) above 20 psig (140 kPa) setpoint
<b>Maximum Air Consumption</b>	.05 scfm (0.7 m3/hr) midrange typical
<b>Media</b>	Oil free, clean dry air filtered to 40 micron
<b>Temp. Range (Operating)</b>	-20°F to 140°F (-30°C to 60°C)
<b>Port Sizes</b>	1/4 NPT (Pneumatic) 1/2 NPT (Electric)
<b>Weight</b>	2.1 lbs. (0.94 kg)

**Corporate Office**  
Wanamassa, NJ  
732.918.9000

**Philadelphia, PA**  
610.521.7400  
**New York, NY**  
212.947.3100

**Augusta, ME**  
207.623.8101  
**Atlanta, GA**  
800.229.3960

**Indianapolis, IN**  
317.815.1730  
**Pittsburgh, PA**  
412.220.2202

**Cincinnati, OH**  
513.733.5200  
**Louisville, KY**  
502.491.0560

**Knoxville, TN**  
865.588.3771  
**Charlotte, NC**  
704.845.9782