

ML6161B and ML7161A Damper Actuators

SPECIFICATION DATA



FEATURES

- Mounts directly on damper shaft
- Selectable 45-, 60-, or 90-degree rotation in either direction
- Magnetic coupling eliminates need for limit switches or mechanical stops
- Position indicator furnished

GENERAL

The ML6161B and ML7161A Damper Actuators ("Actuators") provide control in applications such as variable air volume (VAV) terminal units and other airflow systems. The ML6161B provides Series 60 floating control. Modulating control can be provided when the ML6161B is used with a DeltaNet M-Cel Controller. The ML7161A accepts 2 to 10V dc or 4 to 20 mA input for proportional control.



DESCRIPTION

The ML6161B and ML7161A Damper Actuators (“Actuators”) provide control in applications such as variable air volume (VAV) terminal units and other airflow systems. The ML6161B provides Series 60 floating control. Modulating control can be provided when the ML6161B is used with a DeltaNet M-Cel Controller. The ML7161A accepts 2 to 10V dc or 4 to 20 mA input for proportional control.

SPECIFICATIONS

Models:

- ❑ ML6161B Damper Actuator, 90 seconds. Includes 4074ENY Bag Assembly.
- ❑ ML7161A Damper Actuator, 90 seconds. Includes 4074ENY Bag Assembly

! CAUTION

To prevent reduced operating life of the ML6161B Damper Actuator, do not use it for two-position control. The Actuator should only be used with electronic and electric floating relay outputs.

Input Signal:

ML6161B: Series 60 floating (spst)

ML7161A: Modulating, 2 to 10V dc or 4 to 20 mA

NOTE: Actuators maintain last position when the power or control signal is removed.

Electrical Ratings:

Input Voltage: 24V ac +20%, -30%; 50/60 Hz
Power Consumption, no power consumption when stopped:

ML6161B: 2.1 VA maximum

ML7161A: 4.8 VA maximum

Auxiliary Switch Ratings:

Electrical Selective: N.O. or N.C. not simultaneous

Pilot Duty: 50 VA, 24V dc

Switch Differential: Three angular degrees maximum

Wiring Connections:

Screw terminals

Torque Ratings:

Running: 35 lb in. (4.0 Nm)

Breakaway: 35 lb in. (4.0 Nm)

Stall: 45 lb in. (5.0 Nm) minimum; 65 lb in. and (7.4 Nm) maximum

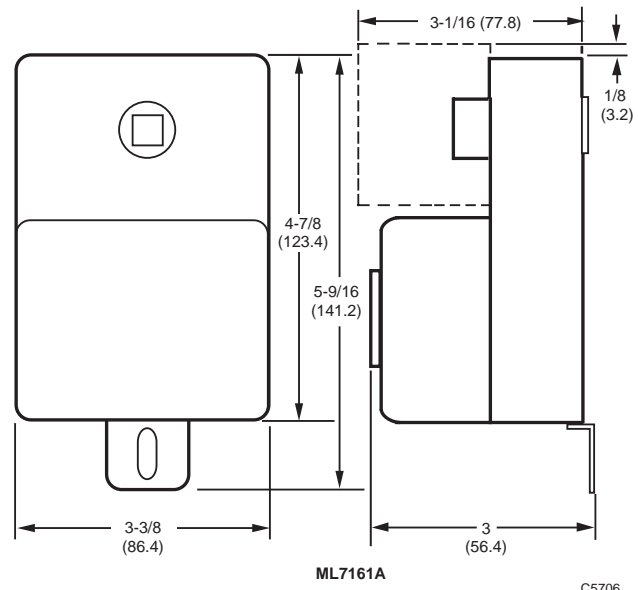
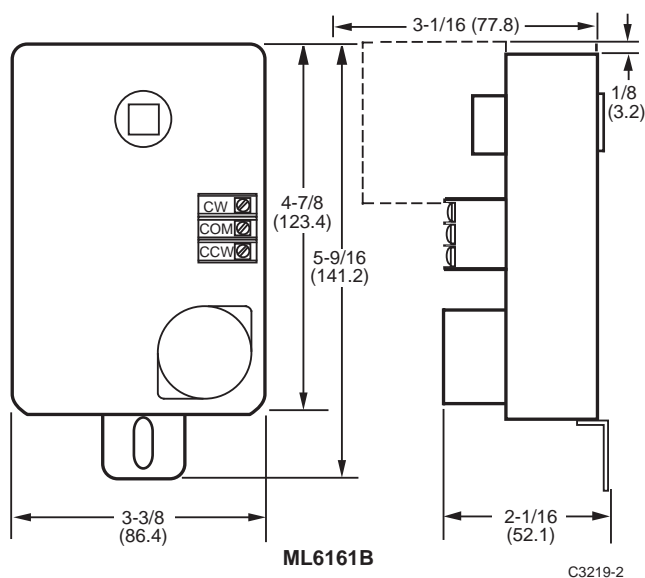
Stroke:

90-degree rotation. Stop pin provided for 60- or 45-degree, cw or ccw, opening dampers.

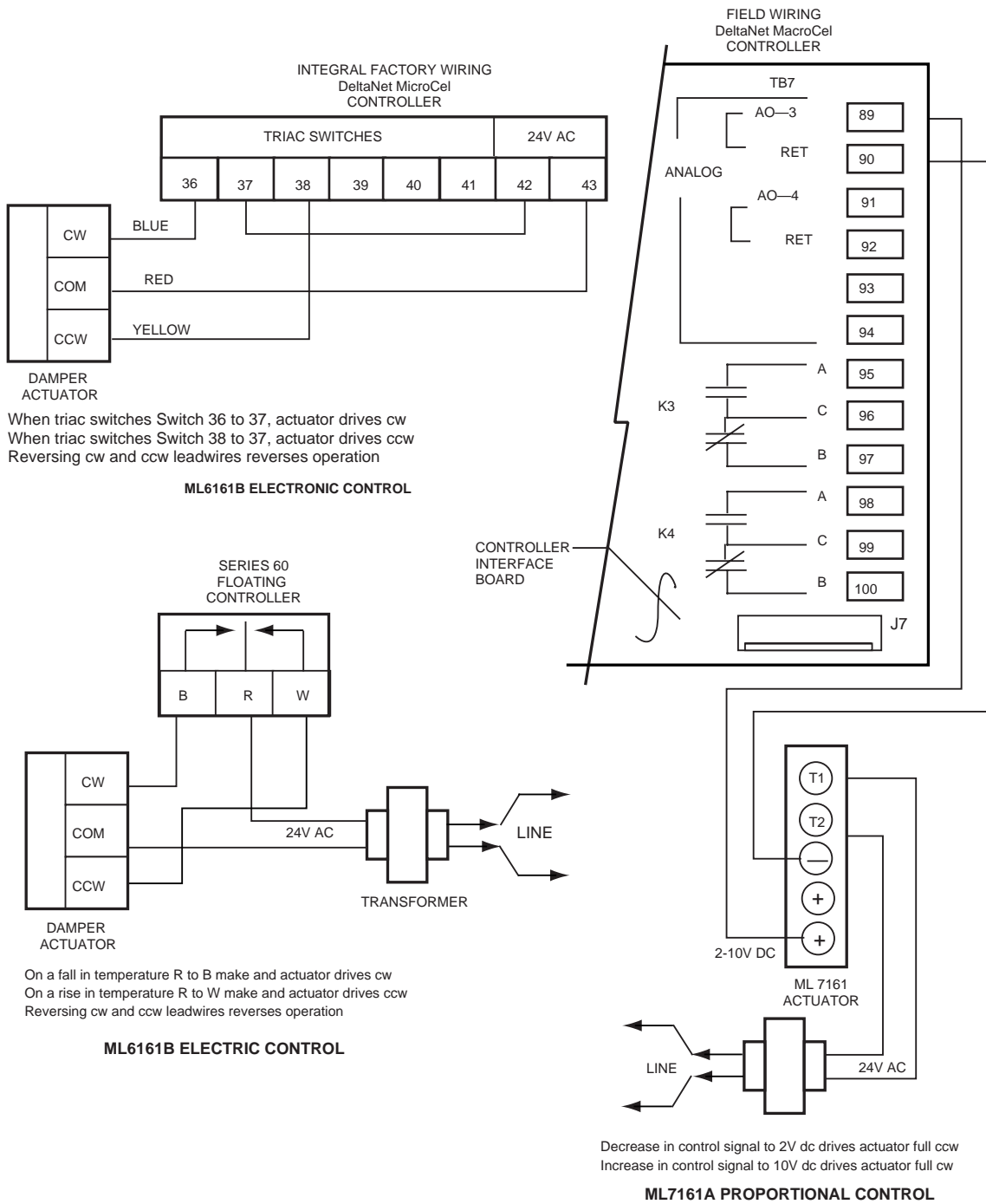
Actuator Timing (Nominal):

Rotation	90 Sec. Timing Max.	
	60 Hz	50 Hz
90°	90 Sec.	108 Sec.
60°	60 Sec.	72 Sec.
45°	45 Sec.	54 Sec.

Dimensions In Inches (Millimeters):



Typical Wiring:



C3220-1

Mounting:

Mounts onto 3/8- to 1/2-in. (10- to 13-mm) square or round damper shaft and is secured by two 1/4-in. x 28NF Allen screws (1/8-in. Allen wrench). Use shaft adaptor on 3/8-in. (10-mm) damper shaft. Mounts to VAV box using one 1/4-in. self tapping sheet metal screw (not included). Mounts with actuator shaft in any position. Requires minimum damper shaft length of 1-3/4 in. (45 mm).

Listings:

Underwriters Laboratories Component Recognized: File No. E4436, Guide No. XAPX2; Canadian Standards Association Certified (includes auxiliary switch). Meets UL94-5V plenum requirements.

Environmental Limits:

Temperature:
Operating: 32 to 130F (0 to 54C)
Shipping: -20 to 130F (-29 to 54C)
Relative Humidity: 5 to 95% noncondensing

Accessories:

- 4074ENY Kit, includes 45° or 60° range stop pin and 1/2-in. to 3/8-in. shaft adaptor.
- 4074ENY Kit, includes 45° or 60° range stop pin and 3/8-in. (10-mm) shaft adaptor. Supplied with 90-second Actuators.
- 7640QW Metal Enclosure, for connecting conduit to Actuator
- 201052A One Spdt Auxiliary Switch
- 201052B Two Spdt Auxiliary Switches
- 201052C Three Spdt Auxiliary Switches
- 200976C Potentiometer, 2000 ohm (use with ML6161A only)

Home and Building Control

Honeywell Inc.
Honeywell Plaza
P.O. Box 524
Minneapolis MN 55408-0524

Honeywell Latin American Division

Miami Lakes Headquarters
14505 Commerce Way Suite 500
Miami Lakes FL 33016

Home and Building Control

Honeywell Limited-Honeywell Limitée
155 Gordon Baker Road
North York, Ontario
M2H 2C9

Honeywell Europe S.A.

3 Avenue du Bourget
B-1140 Brussels Belgium

Honeywell Asia Pacific Inc.

Room 3213-3225
Sun Hung Kai Centre
No. 30 Harbour Road
Wanchai
Hong Kong

Honeywell

