



by Industrial Controls

Model 40A Contractor Gauge

- Designed and built with the contractor in mind
- Attractively priced for use on any project where bronze internals are suitable
- Typically used for air, water, gas, oil and steam applications (a pigtail syphon should be used when putting any gauge into steam service)



General Specifications:

- ✓ Stainless Steel Case
- ✓ Bronze Internals
- ✓ Plastic lens
- ✓ Zero adjust screw on dial
- ✓ Large, easy-to-read numbers
- ✓ Accuracy: $\pm 1\%$ Full Scale

Available Dial Size:

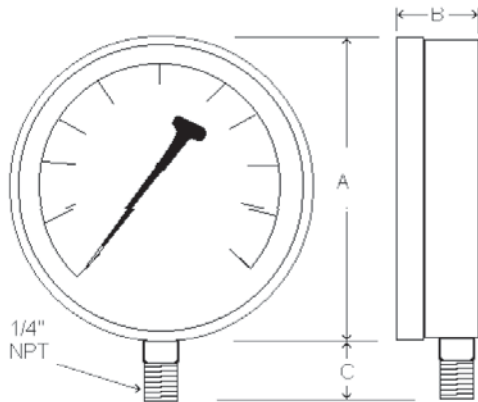
4 1/2"

Available Connection Sizes:

1/4" NPT

Dial Scale:

Single Scale: PSI Standard
Other Scales By Special Request



	A	B	C
In.	4.9	1.17	.97
MM	124	30	25

Common Accessories

Item	Description	Connection
BV B 2F2F	FxF Ball Valve	1/4"
BV B 2F2M	FxM Ball Valve	1/4"
SYPHON B2	Brass Syphon	1/4"
SYPHON CS2	Carbon Steel Syphon	1/4"
SYPHON SS2	Stainless Steel Syphon	1/4"
SNUB M2F2	Snubber	1/4"

Contact Industrial Controls at 1.800.631.2112



by Industrial Controls

Model 40A Contractor Gauge

Example: 45 40A 2L 160

Dial

45

Dial Size
45 = 4 1/2" (114.3 mm)

Model

4 0 A

Gauge Type
4 = Contractor

Case Type
0 = Plain

Tube Material & Fill
A = Bronze Dry

Connection
2L = 1/4" Lower

Connection

2L

Range

160

Range
VAC = 30-0" HG Vacuum
VAC/30 = 30" HG & 0-30 psi
VAC/100 = 30" HG & 0-100 psi
VAC/160 = 30" HG & 0-160 psi
15 = 0-15 psi
30 = 0-30 psi
60 = 0-60 psi
100 = 0-100 psi
160 = 0-160 psi
200 = 0-200 psi
300 = 0-300 psi
500 = 0-500 psi

The most common ranges are listed here. Call for availability of additional ranges.